

A01a

IDC SOCKET

PITCH: 2.54mm

SPECIFICATIONS

Material

Insulator : PBT, glass reinforced, rated UL 94V-0

Contact : Phosphor Bronze or Brass

Electrical

Current Rating : 1 Amp DC

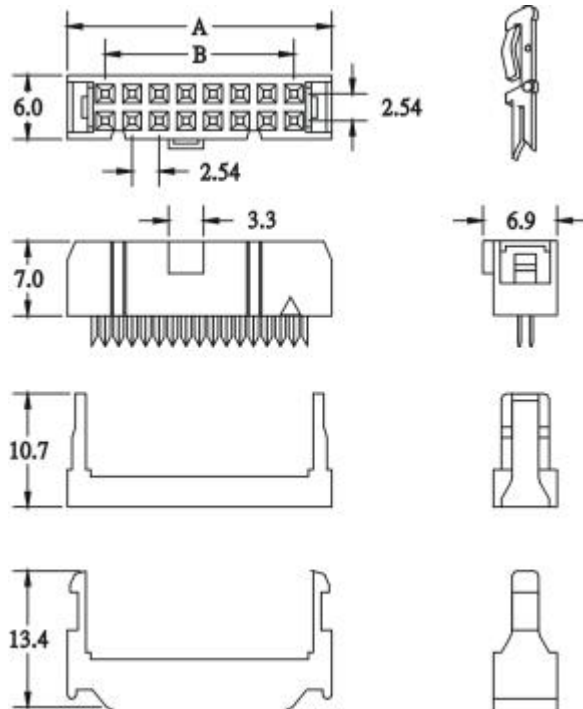
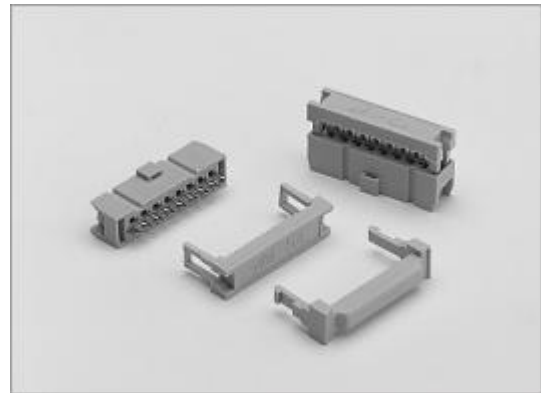
Contact Resistance : 30 mΩ max.

Insulation Resistance : 3000 MΩ min.

Dielectric Withstanding Voltage : 500V AC for 1minute

Operating Temperature : -40°C to +105°C

- ♦ Terminated with 1.27mm pitch flat ribbon cable.
- ♦ Mating Suggestion : C01a, C02a, C03 & C04 series.



POSITION	A	B
10	17.26	10.16
16	24.88	17.78

HOW TO ORDER:

A01a - - - - -

1.NO. OF CONTACT	2.CONTACT MATERIAL	3.CONTACT PLATING	4.SPECIAL FUNCTION	5.INSULATOR COLOR
10 16	A: BRASS B: PHOSPHOR BRONZE	T: TIN PLATED S: SELECTIVE G: GOLD FLASH A: 5µ" INCH GOLD B: 10µ" INCH GOLD C: 15µ" INCH GOLD D: 30µ" INCH GOLD	A: W STRAIN RELIEF W BAR B: W/O STRAIN RELIEF W BAR	1. BLACK 2. GREY